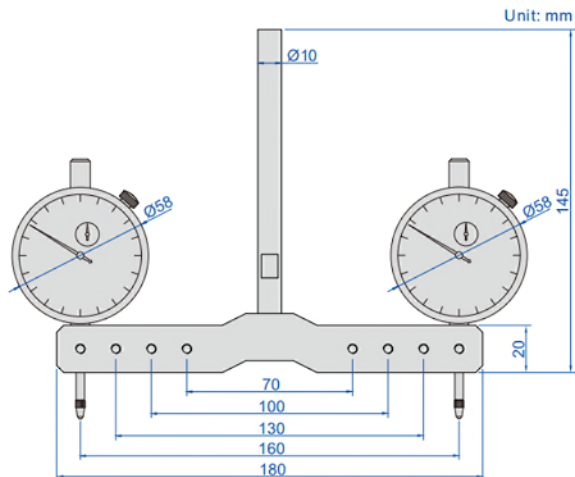


VERTICAL MILLING MACHINE PERPENDICULARITY MEASURING GAUGE



2257-10



- Used to detect and adjust the perpendicularity between the spindle and worktable of a vertical milling machine

Code	Indicator	Accuracy
2257-10	dial indicator, code 2301-10F, range: 10mm, graduation: 0.01mm	5 μ m